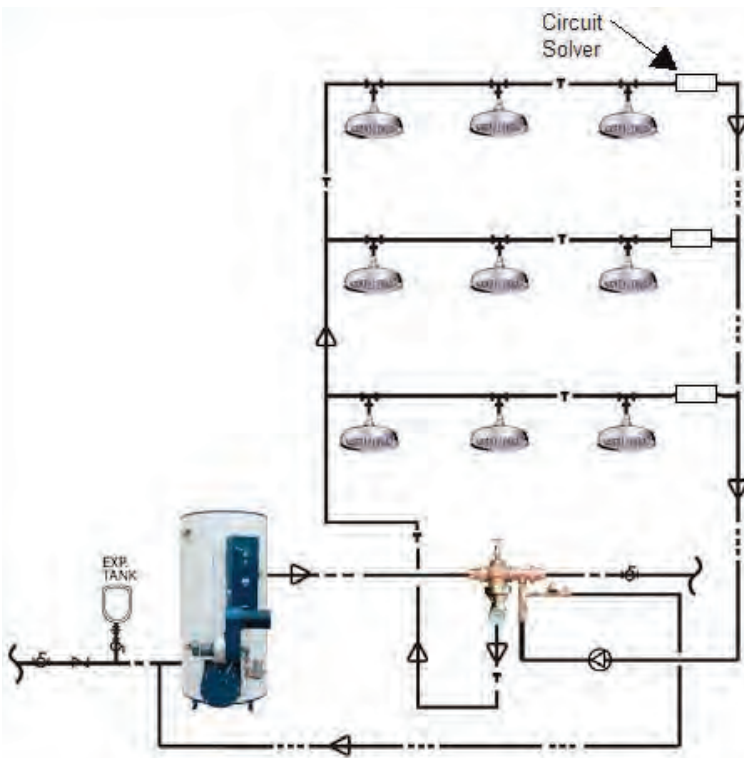


## INSTALLATION INSTRUCTIONS CSUA & CSUAS

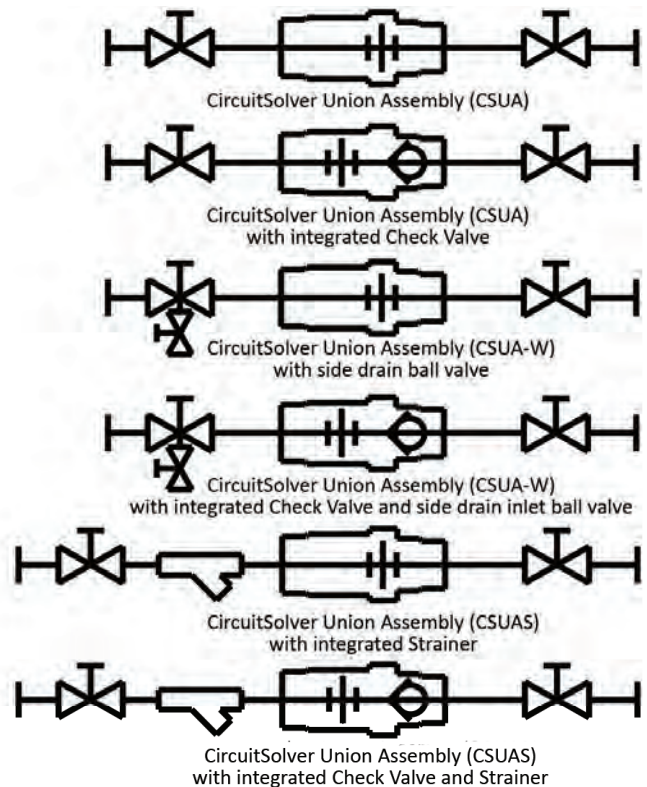
- 1) Install assembly with proper flow direction as marked on valve body. This is critical with assemblies that have an integrated check valve.
- 2) Use suitable pipe thread sealant rated for domestic water applications on all male pipe threads; if using PTFE sealant tape, make sure not to apply tape to the first thread to avoid cutting the PTFE tape and causing potential obstructions to flow.
- 3) **CircuitSolver®** Union Assemblies are designed to be installed at the end of each domestic hot water supply just prior to the return line. See diagram below.
- 4) For water systems with particulate/dirt problems, consider using the **CircuitSolver®** Union Assembly with integrated strainer if a strainer is not already used upstream.

\*Strainer must be maintained in order to avoid flow obstruction.

- 5) A convenient drain port allows for system branch to be flushed without disconnecting plumbing lines.



**MULTI-BRANCH PARALLEL PIPING CIRCUIT**



**SCHEMATIC DIAGRAMS**



**WARNING:** This product can expose you to chemicals, for example lead, nickel, acrylonitrile, which are known to the State of CA to cause cancer, birth defects, or reproductive harm. For more information, go to [www.P65Warnings.ca.gov](http://www.P65Warnings.ca.gov)

Warranty information disclosed at [www.thermomegatech.com/terms-conditions/](http://www.thermomegatech.com/terms-conditions/)

**Buy American to Build America®**

CSUA-CSUAS IMI  
 REV: 1/31/20